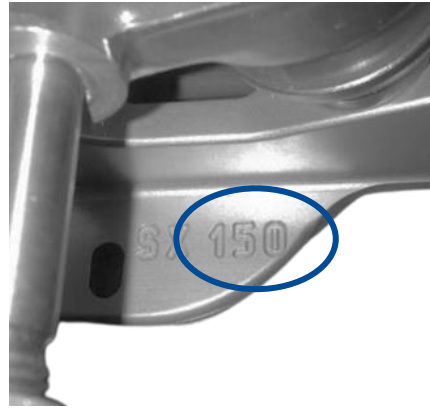
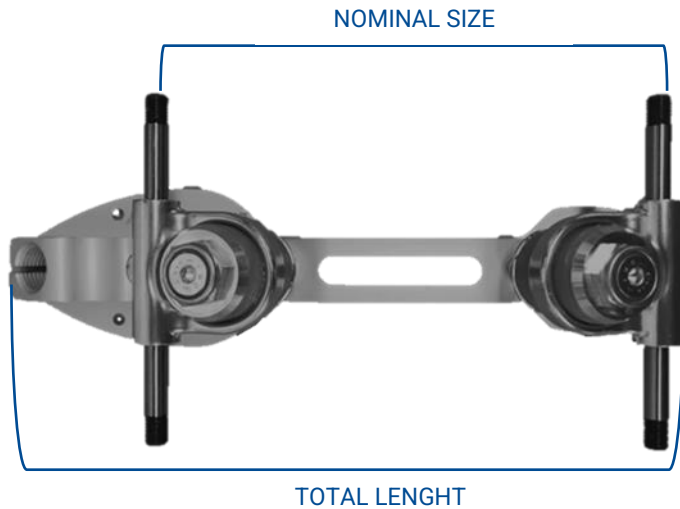


ROLL-LINE® SIZES ARE ALWAYS INDICATED BY A 3-DIGIT NUMBER CARVED INTO THE FRAME OF THE PLATE AND OBSERVABLE IN THE FRONT PART, ALONG WITH THE SIGN INDICATING WHETHER THE SHOE IS RIGHT (RX) OR LEFT (SX).



THIS NUMBER IS REFERRED TO THE DISTANCE (EXPRESSED IN MILLIMETERS) BETWEEN THE CENTER OF THE AXLES. BUT IT'S IMPORTANT TO NOTE THAT THE NOMINAL SIZE IS NOT INDICATING THE TOTAL LENGTH OF PLATE.



THE TABLE ASIDE SHOWS YOU THE REFERENCE BETWEEN NOMINAL SIZE AND TOTAL LENGTH (EXPRESSED IN MM).

ALL PLATES*

NOMINAL SIZE	LENGTH (MM)
90	180
100	190
110	200
120	210
130	220
135	225
140	230
145	235
150	240
155	245
160	250
165	255
170	260
175	265
180	270
190	280
200	290
210	300

* THE PLATE AGILE HAS A DIFFERENT SYSTEM:

WHILE KEEPING THE SAME NOMINAL SIZE AND TOTAL LENGTH OF ALL THE OTHER PLATES,
THE WHEELBASE IS ONE SIZE SHORTER, AS SHOWN IN THE BELOW EXAMPLE:

