

IT'S POSSIBLE (AND SOMETIMES RECOMMENDED) TO MIX AND MATCH DIFFERENT TYPES OF WHEELS.

IT'S IMPORTANT TO REMEMBER THAT THE WHEELS MUST OF THE SAME DIAMETER.

IN GENERAL:

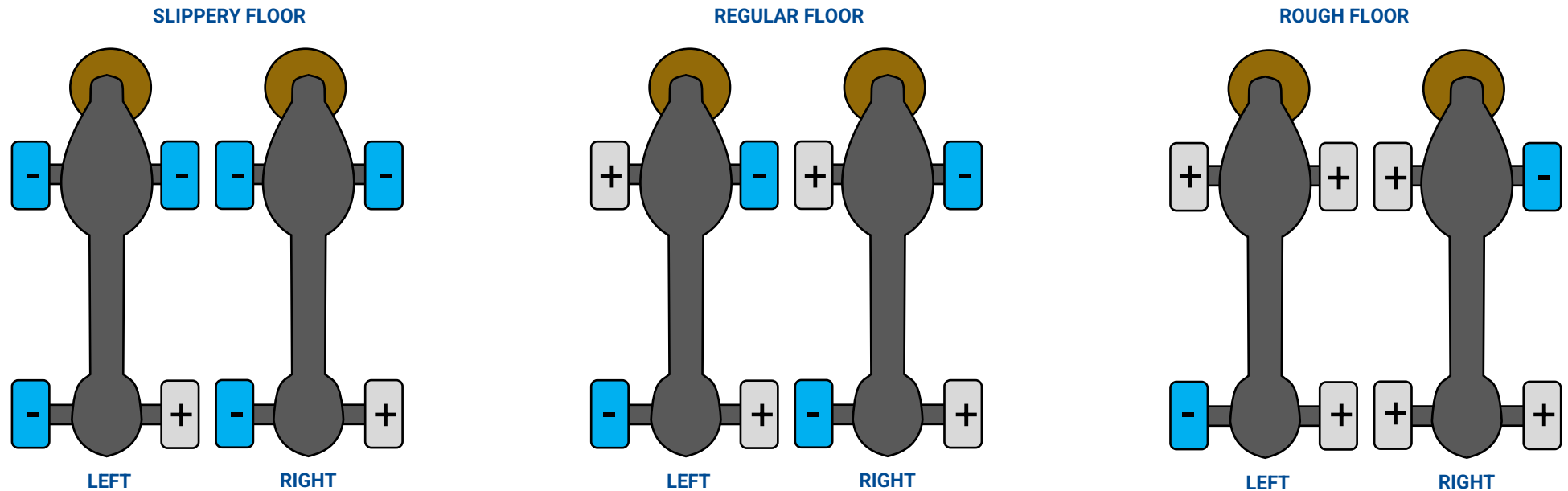
THE WHEEL WITH THE **SOFTER** HARDNESS OFFERS MORE GRIP, AND MUST BE PLACED IN THE **PRESSURE POINTS**.

THE **HARDER** WHEELS ARE USED AS **SLIDING** WHEEL TO IMPROVE SPEED AND MAXIMIZE THE SPINS.

DEPENDING ON THE QUANTITY OF DIFFERENT HARDNESSES AVAILABLE AND THE KIND OF FLOOR, IT'S POSSIBLE TO CREATE MANY COMBINATIONS OF WHEELS.

HERE YOU HAVE SOME EXAMPLES:

## 2 HARDNESSES:



IT'S IMPORTANT TO REMEMBER THAT IN THIS CASE (2 HARDNESSES AVAILABLE) THE TWO WHEELS MUST BE IN SUCCESSION IN THE HARDNESS SCALE.

EX: 47-49 OR 49-53 OR 39-42. (REGARDLESS FOR MAGNUM, GIOTTO OR DEVIL).

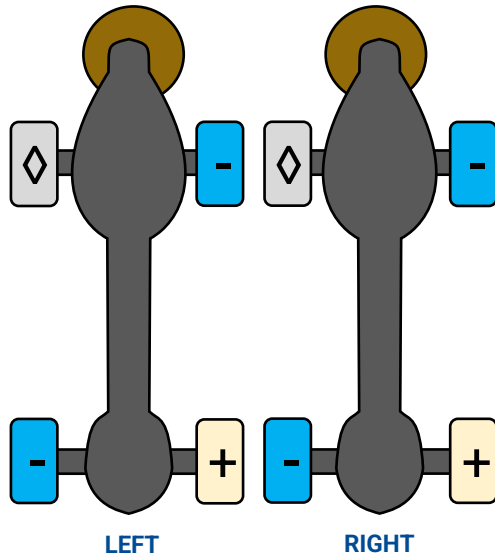
COMBINATIONS WITH LARGER INTERVALS (SUCH AS FOR EX: 47-53 OR 49-60) ARE MUCH LESS FREQUENT AND, IN GENERAL, NOT RECOMMENDED.

THE CHOICE OF THE CORRECT HARDNESS (BOTH THE SOFTER AND THE HARDER) DEPENDS MAINLY ON THE KIND OF FLOOR (MORE OR LESS SLIPPERY) BUT ALSO ON THE INDIVIDUAL ELECTION OF THE SINGLE ATHLETE.

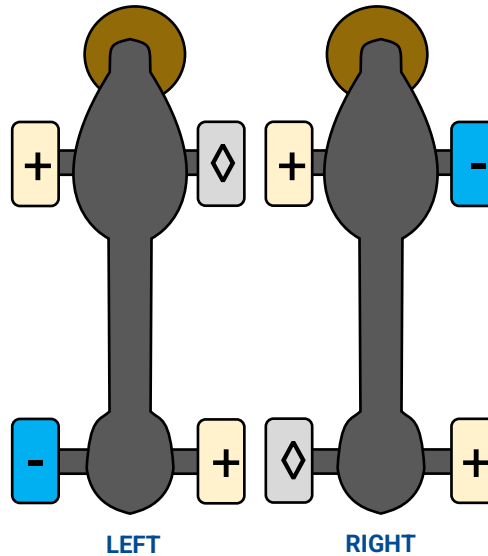


## 3 HARDNESSES:

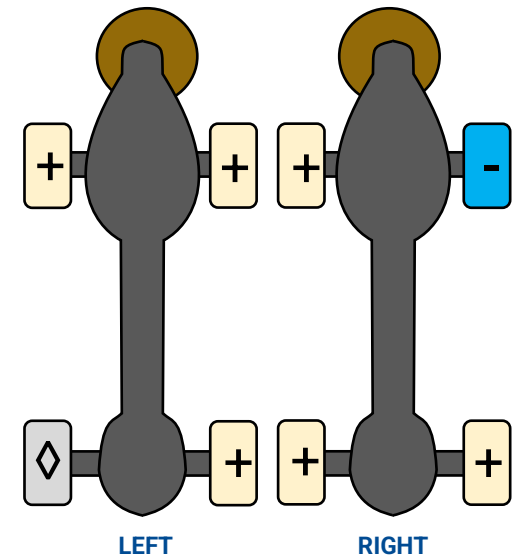
SLIPPERY FLOOR



REGULAR FLOOR



ROUGH FLOOR



IT'S IMPORTANT TO REMEMBER THAT ALSO IN THIS CASE (3 HARDNESSES AVAILABLE) THE THREE WHEELS MUST BE IN SUCCESSION IN THE HARDNESS SCALE.

EX: 47-49-53 OR 49-53-57 OR 39-42-45. (REGARDLESS FOR MAGNUM, GIOTTO OR DEVIL).

COMBINATIONS WITH LARGER INTERVALS (SUCH AS FOR EX: 36-47-57 OR 42-49-60) ARE MUCH LESS FREQUENT AND, IN GENERAL, NOT RECOMMENDED.

THE CHOICE OF THE CORRECT HARDNESS (BOTH THE SOFTER AND THE HARDER) DEPENDS MAINLY ON THE KIND OF FLOOR (MORE OR LESS SLIPPERY) BUT ALSO ON THE INDIVIDUAL ELECTION OF THE SINGLE ATHLETE.



- SOFTER WHEEL



◇ MEDIUM WHEEL



+ HARDER WHEEL